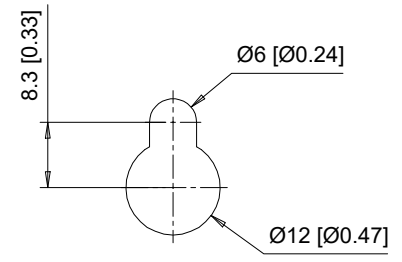
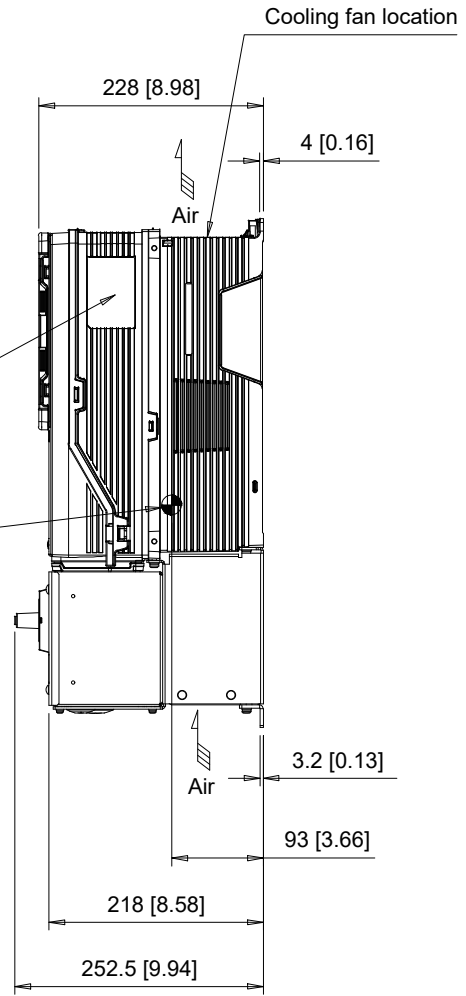
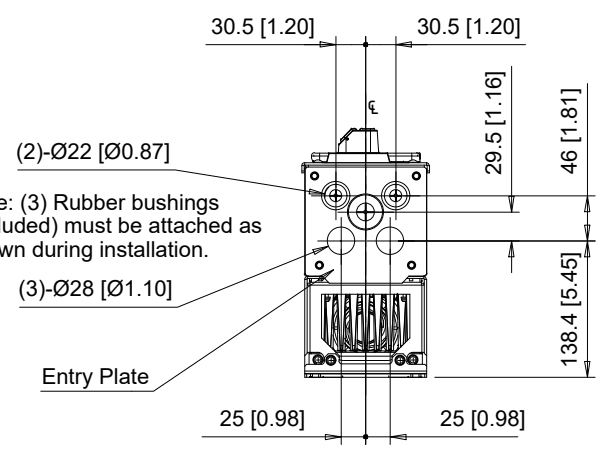


(4) Mounting Holes for M5 [#10] Screws. See Detail A for top mounting hole dimensions.

Center of Gravity Note: Dimensions shown are measured from the bottom left mounting hole



Detail A
 Top mounting hole dimensions
 Scale 1:1

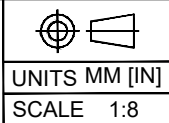


Note: (3) Rubber bushings (included) must be attached as shown during installation.

C/C: FP65□	INPUT VOLTAGE 3-PHASE (VAC)	WEIGHT Kg (lb)		COOLING FANS
		STANDARD	WITH EMC FILTER	
2011□□□	200 TO 240	9.0 (19.8)	9.5 (20.9)	1
2017□□□		9.0 (19.8)	9.5 (20.9)	1
4005□□□	380 TO 480	9.0 (19.8)	10.0 (22.0)	0
4008□□□		9.5 (20.9)	10.0 (22.0)	1
4011□□□		9.5 (20.9)	10.0 (22.0)	1
4014□□□		9.5 (20.9)	10.0 (22.0)	1

□ denotes A-Z

YASKAWA



DRWN.	J. MATTAS	3-28-22
CHKD.	J. PIOTROWSKI	3-30-22
TECH.	L. UDDIN	4-4-22
APRV.	J. CAIRO	4-21-22

TITLE
 FP605 DIMENSION DRAWING
 FRAME SIZE 1
 IP55/UL TYPE 12 ENCLOSURE
 WITH MAIN SWITCH

SIZE A PAGE 1 OF 3
 DWG.NO.
 DD.FP605.FR1.T12.SW

REV
 0

Refer to DD.FP605.CONTROLBOARD drawing for control board details

Base Point of Control Board

Note: The - and +1 terminals are not used

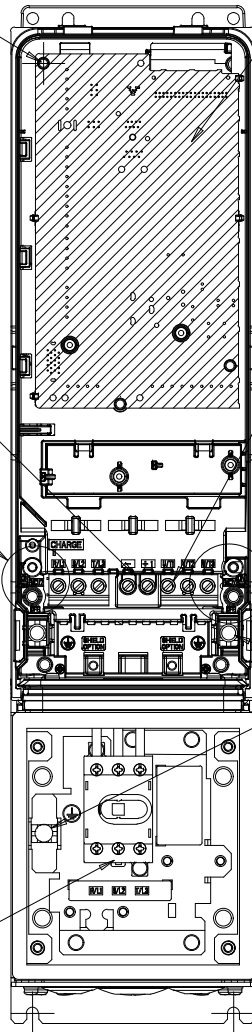
Main Terminals with M4 Screws; Slotted (-)

EMC Filter Switch 1
See Detail A

EMC Filter Switch 2
See Detail B

Grounding Terminals with M5 Screws

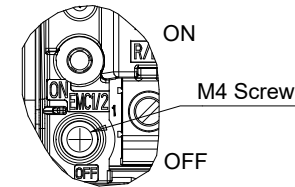
Main Terminals with M3.5 Screws; Pozidriv (#2)



EMC FILTER SWITCHES

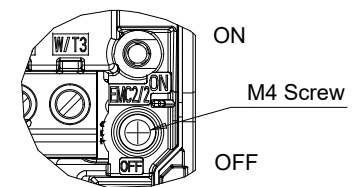
Note: EMC filter switches enabled only on models with built-in EMC filter

EMC SW1



Detail A
Scale 1:2

EMC SW2



Detail B
Scale 1:2

C/C: FP65□	TERMINAL SYMBOL	WIRE RANGE AWG (mm ²)	TERMINAL SCREW	CLAMPING TORQUE N.m. (lb.in.)
2011□□□	R/L1, S/L2, T/L3	14 - 8 (2.5 - 10)	M3.5	0.8 (7)
2017□□□	U/T1, V/T2, W/T3	14 - 8 (2.5 - 10)	M4	1.5-1.7 (13.5-15)
4005□□□	⊕	14 - 8 (2.5 - 10)	M5	2.0 - 2.5 (17.7 - 22.1)
4008□□□				
4011□□□				
4014□□□				

□ Denotes A-Z

Note: Refer to applicable codes and standards for proper wire type and size.

YASKAWA

UNITS MM [IN]
SCALE 1:4

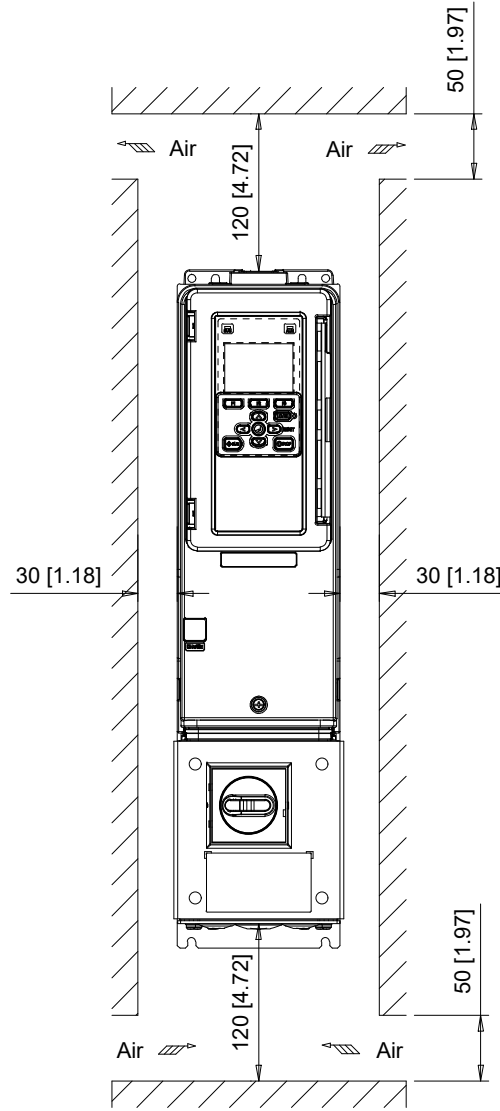
DRWN. J. MATTAS 3-28-22
CHKD. J. PIOTROWSKI 3-30-22
TECH. L. UDDIN 4-4-22
APRV. J. CAIRO 4-21-22

TITLE
FP605 DIMENSION DRAWING
FRAME SIZE 1
IP55/UL TYPE 12 ENCLOSURE
WITH MAIN SWITCH

SIZE A PAGE 2 OF 3
DWG.NO. DD.FP605.FR1.T12.SW

REV 0

Minimum Installation Clearances



YASKAWA

UNITS MM [IN]
SCALE 1:6

DRWN.	J. MATTAS	3-28-22
CHKD.	J. PIOTROWSKI	3-30-22
TECH.	L. UDDIN	4-4-22
APRV.	J. CAIRO	4-21-22

TITLE
FP605 DIMENSION DRAWING
FRAME SIZE 1
IP55/UL TYPE 12 ENCLOSURE
WITH MAIN SWITCH

SIZE	A	PAGE	3 OF 3
DWG.NO.	DD.FP605.FR1.T12.SW		

REV
0